



2017

W I N T E R / S P R I N G
P R O M O P A C K

Tool Holding Offers



CAT40 & CAT50 Taper Adapters
for End Mills and Face Mills



VALID THROUGH
June 30th, 2017

KPTI Company Overview

Established in April 2014, KPTI unifies two of the world's leading cutting tool manufacturers, Kyocera Tycom Corporation (KTC) and the Cutting Tool Division of Kyocera Industrial Ceramics Corporation (KICC-CT).

The new company creates a combined enterprise that optimizes the strengths of both organizations and facilitates expansion of Kyocera's overall cutting tool-related business in North America. The new combined entity will unify cutting tool resources to create greater efficiencies while positioning the new organization for continued success.

Customers will benefit from a unified sales and support team offering improved customer service and an expanded portfolio of cutting tool products and solutions for the automotive, aerospace, general machining, medical, power generation, printed circuit board and steel markets.

KPTI North American Operations



Costa Mesa, CA

Wapakoneta, OH

Hendersonville, NC



Administration & Manufacturing

- Administration & Accounting Center
- Micro-Tools Manufacturing
- Printed Circuit Board Drill Manufacturing
- Micro-Tools & PCB Sales & Customer Service Center

Steel Tool Holder Manufacturing

- Indexable Drills
- Milling End Mills & Face Mills
- Boring Bars
- Turning and Grooving Holders
- API Ring Groovers

KPTI North American HQ

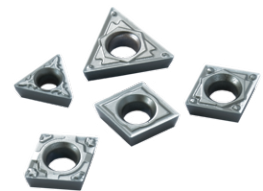
- Indexable Insert Manufacturing
- North American Tech Center
- North American Sales, Marketing & Customer Service Center

KPTI

Manufactured Products



Steel Toolholders for Milling, Turning, Grooving, Threading and Drilling Metal



Indexable metal cutting inserts made of carbide, ceramic, cermet, Cubic Boron Nitride, and Polycrystalline diamond



Solid carbide cutting tools for tight tolerance and micro-diameter metal cutting applications

KPTI Markets Served



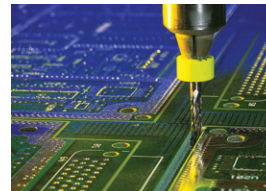
Automotive



Aerospace



Medical



Printed Circuit Board



Power Generation

Explore the Many Ways to Save with the **Kyocera 2017 Winter / Spring Promo Pack**

In 2017 Kyocera Precision Tools, Inc. is offering more ways to advance your productivity while also reducing your tooling costs. With our wide array of indexable and solid round cutting tools, we strive to be your primary source for high-quality, cost-effective solutions for all of your metal cutting needs. Read below for our latest cost-savings opportunities.

To learn more about KPTI, please visit www.kyoceraprecisiontools.com.

TOOL HOLDING SOLUTIONS

CAT40 / CAT50 Taper Adapters for End Mills and Face Mills

Discounted CAT40 & CAT50 Tool Holding Prices

[P4](#)

How to Order

We sell our high-performance lineup of indexable and solid round cutting tools through our North American Distribution Partners.

When placing an order for items in this Promo Pack, please reference the promo code provided.

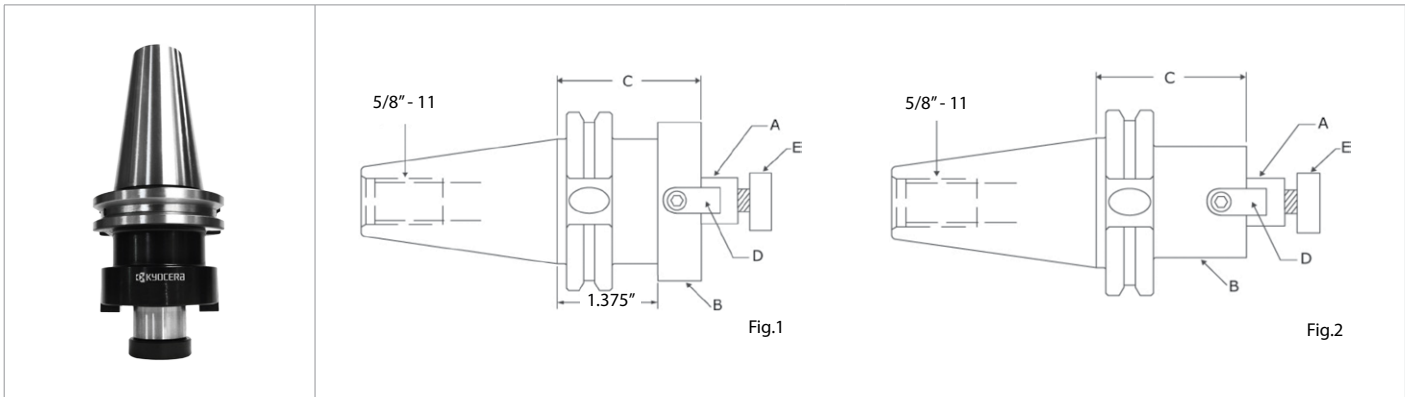
To locate an Authorized Kyocera Distributor, please visit www.kyoceraprecisiontools.com/locate

CAT40

Face Mill Toolholders

Promo Code: **KYO-CAT**

- Made from 8620 Alloy Steel
- Concentricity is less than .0002 at face and arbor
- All critical surfaces are precision ground
- Case hardened to 54-58 RC
- Case depth is .03-.04
- Balanced to G2.5 @ 20,000 rpm
- Rear thread for pull stud is 5/8-11
- Coolant through capable



CAT40 Face Mill Holders

Part Number	Stock	Dimensions (in)						U.S. Promo Price
		Arbor Dia. (A)	O.D. (B)	Gage Length (C)	Key Width (D)	Screw (E)	Drawing	
KYO-CAT40- FM.75-2.0	●	0.750	1.750	2.000	5/16	3/8-24	2	\$129.00
FM1.0-2.0	●	1.000	2.180	2.000	3/8	1/2-20	1	\$129.00
FM1.25-2.0	●	1.250	2.440	2.000	1/2	5/8-18	1	\$129.00
FM1.5-2.0	●	1.500	2.520	2.000	5/8	3/4-16	1	\$129.00

All 2017 Winter / Spring Offers Valid through June 30, 2017

All promo items are available exclusively through Authorized North American Kyocera Precision Tool Distributors. Please use specified Promo Code when placing orders.

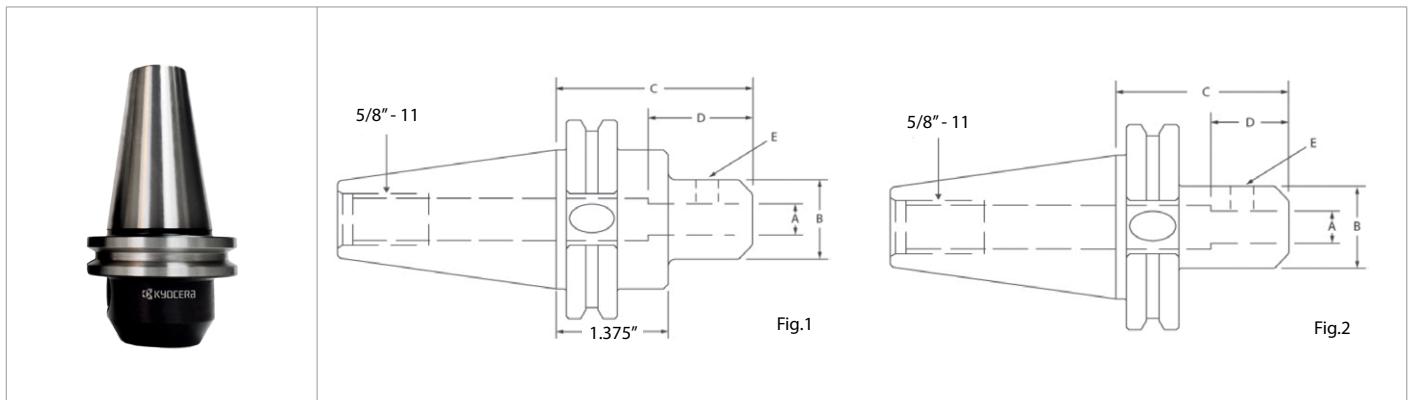
To locate a distributor visit www.kyoceraprecisiontools.com/locate. Prices Shown Valid in U.S. Only.

CAT40

End Mill Toolholders

Promo Code: **KYO-CAT**

- Made from 8620 Alloy Steel
- All critical surfaces are precision ground
- Case hardened to 56-58 RC
- Case depth is .03-.04
- Balanced to G2.5 @ 20,000 rpm
- Concentricity is .0001 or less
- Rear thread for pull stud is 5/8-11
- Coolant through capable



CAT40 End Mill Holders

Part Number	Stock	Dimensions (in)						U.S. Promo Price
		I.D. (A)	O.D. (B)	Gage Length (C)	Tool Depth (D)	Set Screw (E)	Drawing	
KYO-CAT40- EM.500-1.75	●	0.500	1.375	1.750	N/A	7/16-20	2	\$89.00
EM.625-1.75	●	0.625	1.500	1.750	2.100	9/16-18	2	\$89.00
EM.75-1.75	●	0.750	1.750	1.750	2.500	5/8-18	2	\$89.00
EM1.0-1.75	●	1.000	1.750	1.750	2.600	5/8-18	2	\$89.00
EM1.25-2.5	●	1.250	2.500	2.500	2.750	3/4-16	1	\$89.00
EM1.5-4.0	●	1.500	2.620	4.000	3.000	2x - 3/4-16	2*	\$119.00

* This tool holder does not have a safety zone for the tool changer. Although most machines do not require a safety zone, please be sure to check your machine tool requirements.

KYOCERA Precision Tools, Inc.

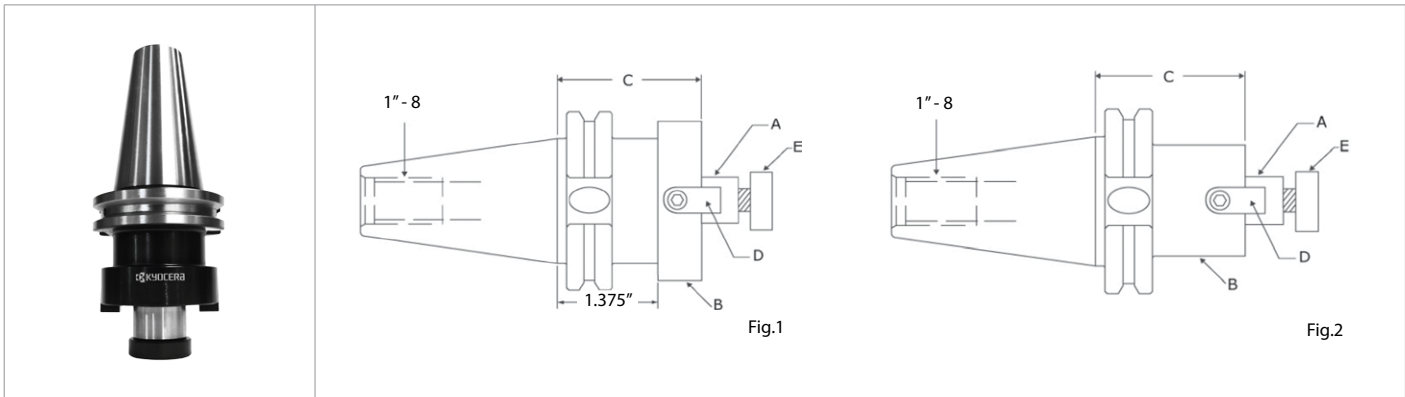
P: 800.823.7284 • F: 828.692.1344 • E: ctsales@kyocera.com
 Official Website | www.kyoceraprecisiontools.com

CAT50

Face Mill Toolholders

Promo Code: **KYO-CAT**

- Made from 8620 Alloy Steel
- Concentricity is less than .0002 at face and arbor
- All critical surfaces are precision ground
- Case hardened to 54-58 RC
- Case depth is .03-.04
- Balanced to G2.5 @ 20,000 rpm
- Rear thread for pull stud is 1" x 8
- Coolant through capable



CAT50 Face Mill Holders

Part Number	Stock	Dimensions (in)						U.S. Promo Price
		Arbor Dia. (A)	O.D. (B)	Gage Length (C)	Key Width (D)	Screw (E)	Drawing	
KYO-CAT50- FM.75-3.0	●	0.750	1.750	3.000	5/16	3/8-24	2	\$149.00
FM1.0-3.0	●	1.000	2.180	3.000	3/8	1/2-20	2	\$149.00
FM1.25-3.0	●	1.250	2.440	3.000	1/2	5/8-18	2	\$149.00
FM1.5-3.0	●	1.500	2.740	3.000	5/8	3/4-16	2	\$149.00
FM2.0-3.0	●	2.000	3.700	3.000	3/4	1-14	1	\$209.00
FM2.5-3.0	●	2.500	4.000	3.000	1.0	1-14	1	\$209.00

All 2017 Winter / Spring Offers Valid through June 30, 2017

All promo items are available exclusively through Authorized North American Kyocera Precision Tool Distributors. Please use specified Promo Code when placing orders.

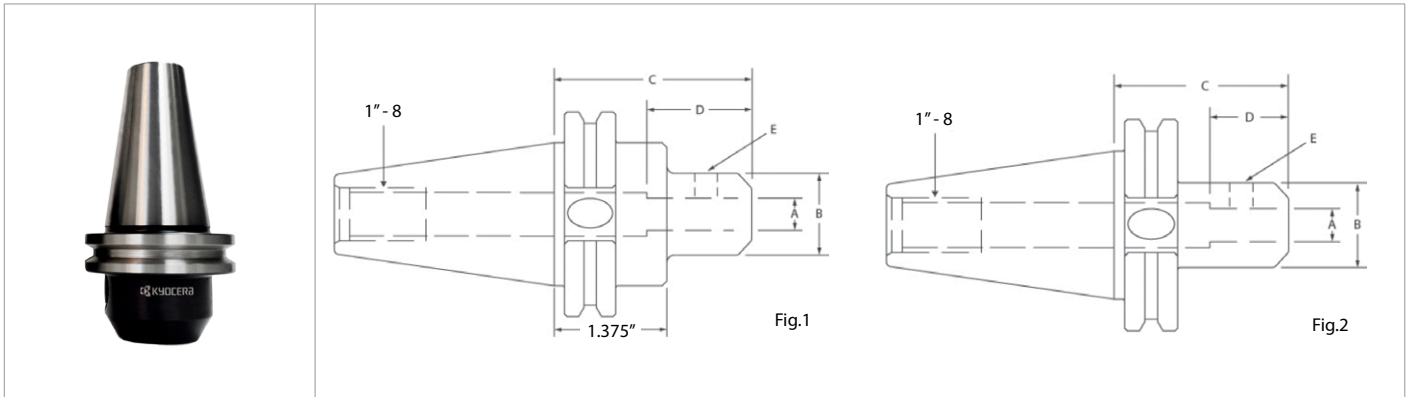
To locate a distributor visit www.kyoceraprecisiontools.com/locate. Prices Shown Valid in U.S. Only.

CAT50

End Mill Toolholders

Promo Code: **KYO-CAT**

- Made from 8620 Alloy Steel
- All critical surfaces are precision ground
- Case hardened to 56-58 RC
- Case depth is .03-.04
- Balanced to G2.5 @ 20,000 rpm
- Concentricity is .0002 or less
- Rear thread for pull stud is 1" x 8
- Coolant through capable



CAT50 End Mill Holders

Part Number	Stock	Dimensions (in)						U.S. Promo Price
		I.D. (A)	O.D. (B)	Gage Length (C)	Tool Depth (D)	Set Screw (E)	Drawing	
KYO-CAT50- EM.500-3.0	●	0.500	1.375	3.000	N/A	7/16-20	1	\$149.00
EM.625-3.0	●	0.625	1.500	3.000	N/A	9/16-18	1	\$149.00
EM.75-3.0	●	0.750	1.750	3.000	N/A	5/8-18	1	\$149.00
EM1.0-4.0	●	1.000	1.900	4.000	2.750	5/8-18	1	\$159.00
EM1.25-4.0	●	1.250	2.500	4.000	2.750	3/4-16	1	\$159.00
EM1.5-4.5	●	1.500	2.750	4.500	3.000	2x - 3/4-16	1	\$169.00
EM2.0-5.0	●	2.000	3.500	5.000	3.500	2x - 1.0-14	2*	\$189.00

* This tool holder does not have a safety zone for the tool changer. Although most machines do not require a safety zone, please be sure to check your machine tool requirements.



KYOCERA Precision Tools, Inc.

102 Industrial Park Road
Hendersonville, NC 28792
Customer Service | 800.823.7284 - Option 1
Technical Support | 800.823.7284 - Option 2



Official Website | www.kyoceraprecisiontools.com
Distributor Website | mykpti.kyocera.com
Email | cuttingtools@kyocera.com



©KYOCERA Precision Tools, Inc.
01/17, 10K Printed in the U.S.A